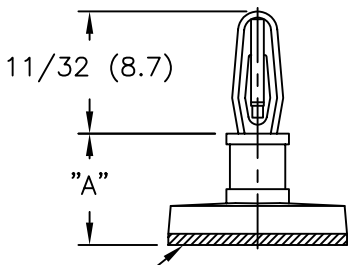
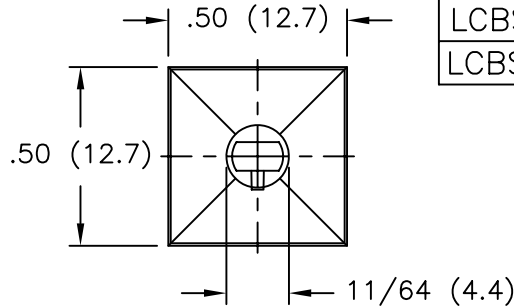


|                  |                 |
|------------------|-----------------|
| PART NO.         | "A"±.015 (±0.4) |
| LCBSBM-3-01A-RT  | 3/16 (4.8)      |
| LCBSBM-4-01A-RT  | 1/4 (6.4)       |
| LCBSBM-5-01A-RT  | 5/16 (7.9)      |
| LCBSBM-6-01A-RT  | 3/8 (9.5)       |
| LCBSBM-7-01A-RT  | 7/16 (11.1)     |
| LCBSBM-8-01A-RT  | 1/2 (12.7)      |
| LCBSBM-9-01A-RT  | 9/16 (14.3)     |
| LCBSBM-10-01A-RT | 5/8 (15.9)      |



TO SNAP-LOCK IN A .125±.002 (3.18±0.05) DIA. HOLE, IN A .062 (1.57) THICK BOARD

1/32 (0.8) THICK, DOUBLE SIDED ADHESIVE TAPE

TYPICAL RELEASE TAB LOCATION

NOTES:

- MATERIAL: NYLON 6/6 (RMS-01).  
FLAME RETARDANT NYLON (RMS-19), AVAILABLE BY SPECIAL ORDER ONLY.
  - COLOR: NATURAL.
  - ACRYLIC ADHESIVE TAPE (RMS-15), WHITE LINER.  
  
RUBBER ADHESIVE TAPE (RMS-102), BLUE LINER.  
AVAILABLE BY SPECIAL ORDER ONLY.  
TO ORDER REPLACE SUFFIX "A-RT" WITH "A1-RT" ON P/N.
- PART ALSO AVAILABLE WITHOUT TAPE BY SPECIAL ORDER.  
TO ORDER, REMOVE "A-RT" FROM P/N.  
FOR NEW DIM. "A" SUBSTRACT 1/32" (0.8)
- PART AVAILABLE WITH NON-LOCKING BAYONET NOSE BY SPECIAL ORDER. TO ORDER, USE PART NO. "CBSBM-X-XXX-XX"

|     |   |               |
|-----|---|---------------|
| E   | ADDED NON-LOCKING TOP OPTION (NOTE 4), ECN #631   | SM 05.20.03   |
| D   | ADDED RUBBER ADHESIVE BY SPECIAL ORDER (ECN #466) | SM 09.18.02   |
| C   | UPDATED PRINT AND CHANGED FILE NO                 | SM 04.30.01   |
| B   | MAT'L RMS-19 ADDED                                | J.L. 12.29.97 |
| A   | CONVERTED TO ACAD                                 | P.B. 05.23.95 |
| REV | DESCRIPTION                                       | ENGR DATE     |

TITLE: LOCKING CKT. BD. SUPPORT ON BASE, MINI

DWG IN IN (MM)

|   |                  |  |      |           |            |
|---|------------------|--|------|-----------|------------|
| TOLERANCES UNLESS NOTED<br>.XX=±.010<br>.XXX=±.005<br>FRAC=±1/64<br>ANG=±1' | FILE # LCBSBM    | DWN: P.B.  | APP: | FINAL     |            |
|   | MAT'L: SEE NOTES | DT: 05-23-95   | DT:  | PART #    | PRINT TYPE |
|   | RE: RICHCO, INC. | RICHCO INC.<br>PO BOX 804238, CHICAGO, 60680<br>(773) 539-4060 |      | SEE TABLE | CA         |